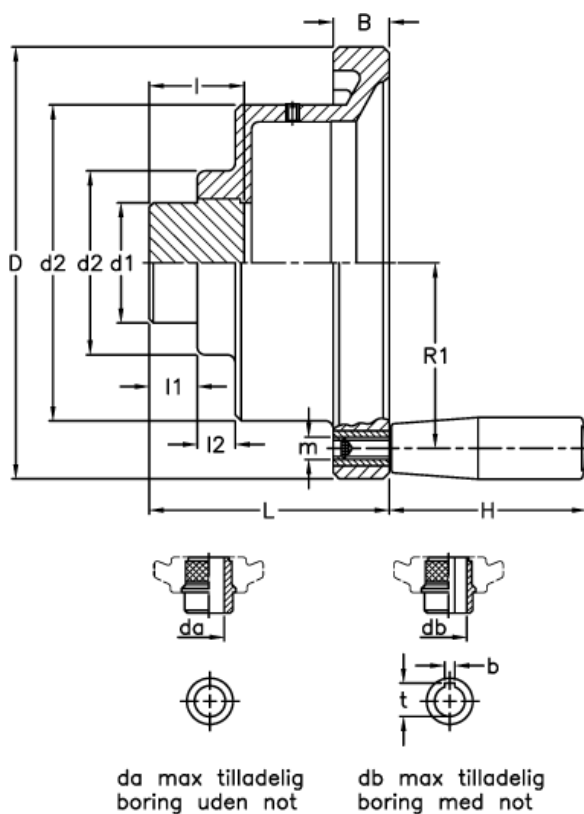


Article number: 2307030481

Description: E+G Solid handwheel
VDC.100-GXX2+I

Measures



$b = 6$	$H = 50$
$B = 14$	$l = 25$
$D = 108$	$L = 60$
$d_1 = 30$	$l_1 = 12$
$d_2 = 46$	$l_2 = 9.5$
$d_3 = 79$	$m = M6$
$d_a = 25$	$R_1 = 45.0$
$d_b = 20$	$t = 22.8$